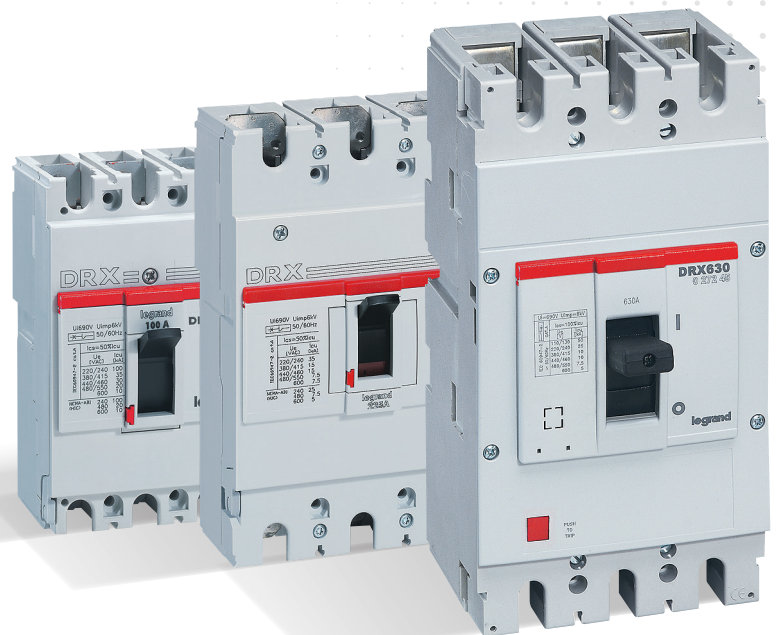




THERMAL MAGNETIC MCCBs

DRX

NOW UP TO 630 A



CATALOGUE
PAGES
→ INSIDE

THE **GLOBAL SPECIALIST**
IN ELECTRICAL AND DIGITAL BUILDING INFRASTRUCTURES



DRX



AN EXTENDED RANGE UP TO 630 A

Designed to work in any type of environment, the DRX range of thermal magnetic circuit breakers has been expanded to meet your essential needs in terms of protecting an electrical installation up to 630 A.

For many years, the robust design of the DRX range has made it the ideal choice for efficiency and economy.

THE RANGE: THERMAL MAGNETIC MCCBs

Mounting

Rated current (In)

Breaking capacity (Icu) at 415 V~

Standard breaking capacity Ics (%Icu)

Number of poles

* From 15 to 100 A

A solution adapted to numerous different sites, whether residential, commercial or even in the industrial sector.
Works in any type of environment, including in extreme temperatures.



THE BENEFITS OF THE DRX RANGE

THE CHOICE

- Three different sizes
- Ratings ranging from 15 to 630 A
- Several breaking capacities between 16 and 50 kA

ROBUST DESIGN

- SEMKO - LOVAG certification
- Compliant with standard IEC 60947-2
- Mechanical endurance up to 25,000 operations

ADAPTABILITY

- An exclusive system to change from the 50 mm standard to the 45 mm DIN standard
- Fixing on DIN rail or plate for DRX 125 and 250
- Wiring via cables or busbars
- Installation in any position
- Suitable for all environments (tropicalisation, pollution, salt corrosion, etc.)
- Operates in AC or DC



DRX 125

ON RAIL OR ON PLATE

From 15 to 125 A

16 kA	20 kA	36 kA
50	50	50
3P - 4P	3P - 4P	1P* - 2P* 3P - 4P



DRX 250

ON RAIL OR ON PLATE

From 125 to 250 A

18 kA	25 kA	36 kA
50	50	50
3P - 4P	3P - 4P	3P - 4P



DRX 630

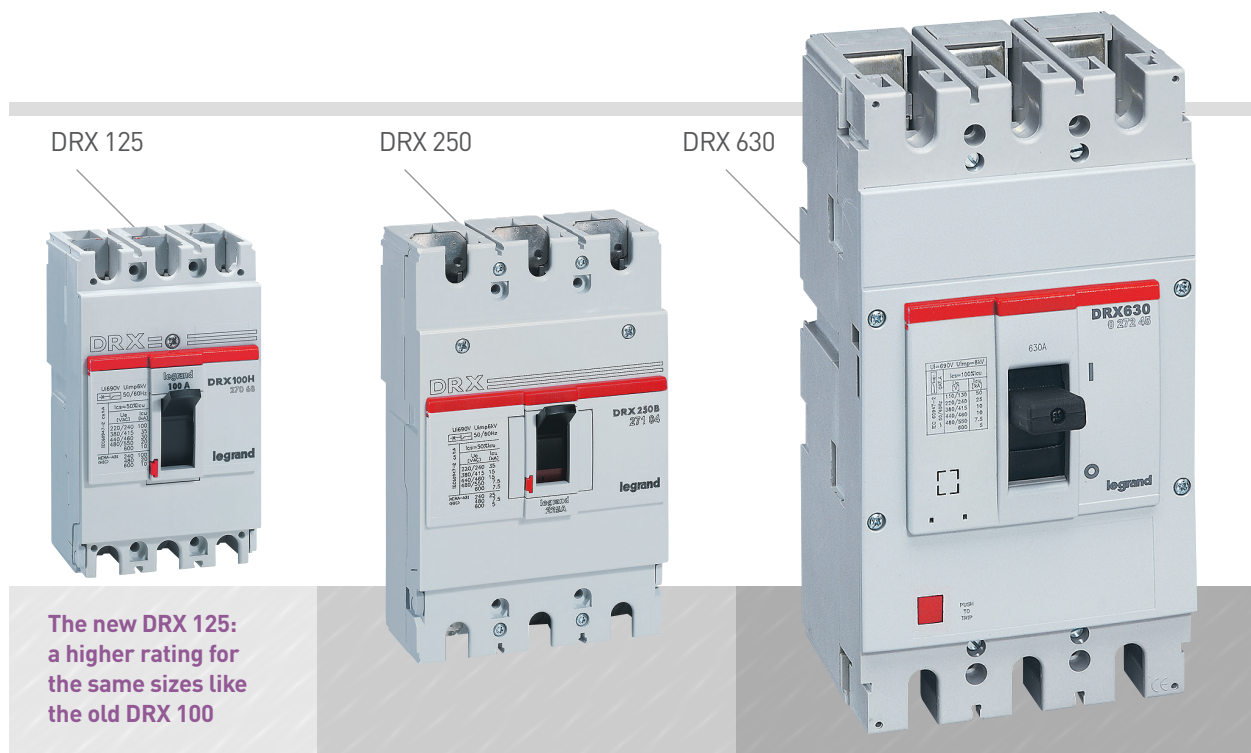
ON PLATE

From 320 to 630 A

36 kA	50 kA
50	50
3P - 4P	3P - 4P

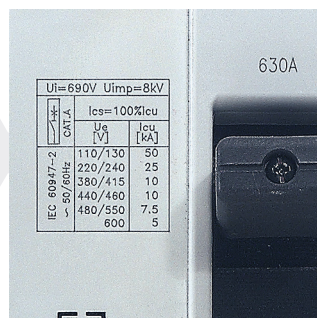
SIMPLICITY EFFICIENCY ACCESSIBILITY

With just 3 circuit breaker sizes, the DRX range has it covered when it comes to providing protection against overloads and short-circuits, for sites up to 630 A.



The new DRX 125:
a higher rating for
the same sizes like
the old DRX 100

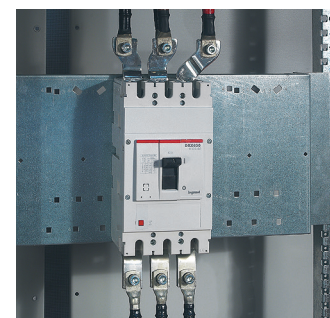
DRX



EASY IDENTIFICATION

Clear, simple, indelible marking on the front of the MCCB states the:

- thermal magnetic protection
- nominal current
- breaking capacity



EASE OF WIRING

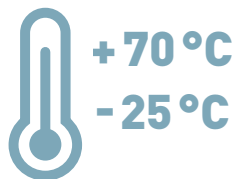
Numerous wiring accessories are available to assist installation.

ROBUST DESIGN

RELIABILITY

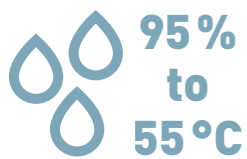
SAFETY

With the DRX range, you can guarantee long-term protection for your customers' installations. Its rugged construction ensures continuity of operation even in excessive temperatures.



EXTREME TEMPERATURES

DRX MCCBs operate in extreme temperature conditions, between -25°C and +70°C, and need no temperature derating up to 50°C.



UTE C63100 GUIDE

Can be used in any type of environment: ropicalisation execution II (all climates, relative humidity between 95% and 55°C).



QUALITY LEVEL
Guaranteed by SEMKO certification.
Compliant with standard IEC 60947-2.



OPERATES IN AC OR DC



ROBUST DESIGN

The DRX has proven mechanical endurance up to 25,000 operations.



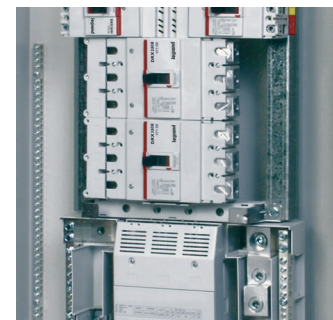
SAFETY

No live parts are accessible once installed under a faceplate.



ROTARY HANDLE

The rotary handle, is available in direct or external version in order to accommodate different users' habits or the specific constraints affecting each type of site. It is simple and quick to fit.



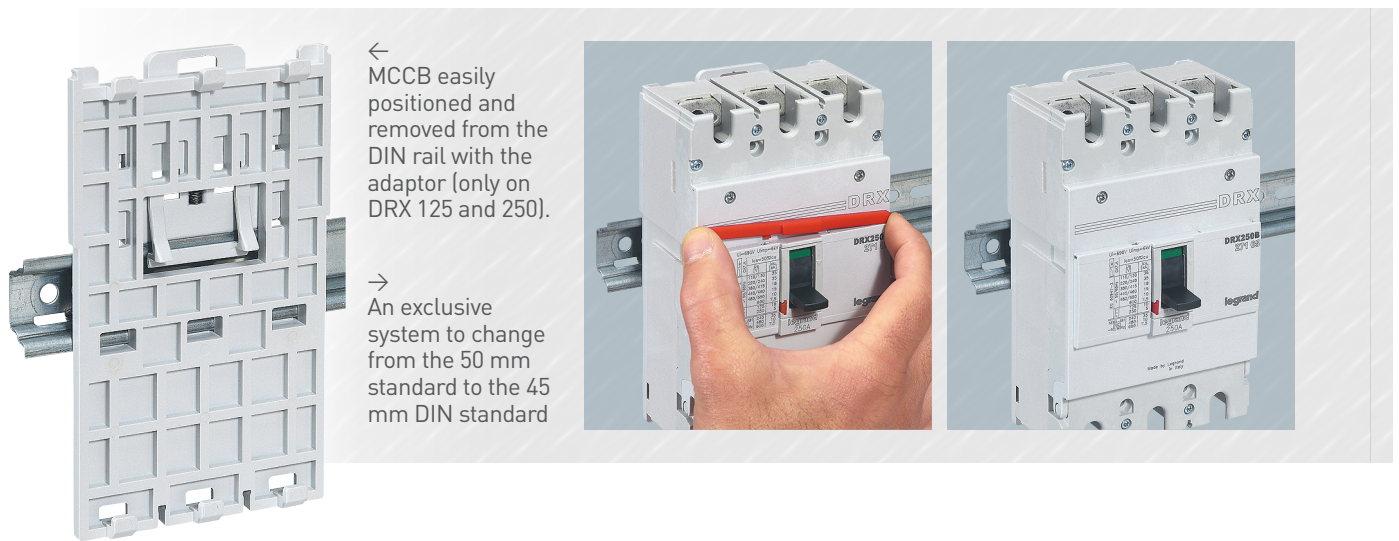
HORIZONTAL OPERATION

If required, DRX MCCBs can also be installed horizontally in enclosures like XL3-N 630.

EASE OF INSTALLATION AND WIRING

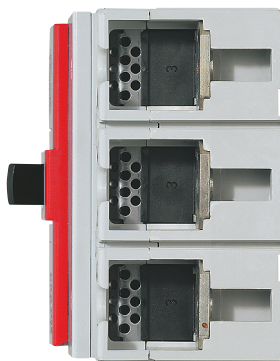
The DRX range includes numerous accessories which make wiring and installation easier and allow remote tripping, saving time during installation and enhancing safety.

EASE OF INSTALLATION AND FLEXIBILITY

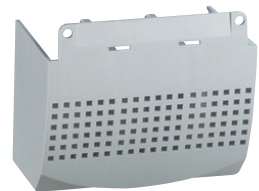


A VARIETY OF WIRING SYSTEM OPTIONS

24 mm distance between base and terminal, for mounting on busbars.

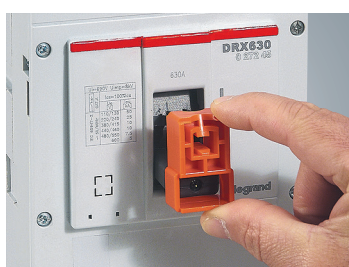


Cable spreaders, cage terminals, rear terminals, terminal shields, etc; our wiring accessories cover all your requirements.



DRX

REMOTE TRIPPING FOR SAFETY



RISK-FREE INTERVENTION

The padlock can be used to lock the handle in "Open" position during maintenance operations and thus avoid any risk of accidents due to mishandling.



The DRX range can also be installed in XL³-N 125/250 enclosures

DRX™ 125

thermal magnetic MCCBs from 15 to 125 A



Technical characteristics and curves p. 7 to 9

For switching, control, isolation and protection of low-voltage electrical lines
 Can be fitted with auxiliaries (p. 10)
 Supplied with:
 - M5 terminal for $I_n \leq 50$ A and M8 range for $I_n > 50$ A
 - Fixing screws
 - Insulating shields (2 for 3P and 3 for 4P)
 Fixed thermal and magnetic
 Conform to IEC 60947-2, in compliance with NEMA

Pack	Cat.Nos		DRX 125
			Breaking capacity Icu 10 kA (415 V~)
	3P	4P	I_n
1	0 270 00	0 270 10	15 A
1	0 270 01	0 270 11	20 A
1	0 270 02	0 270 12	25 A
1	0 270 03	0 270 13	30 A
1	0 270 04	0 270 14	40 A
1	0 270 05	0 270 15	50 A
1	0 270 06	0 270 16	60 A
1	0 270 39	0 270 29	63 A
1	0 270 07	0 270 17	75 A
1	0 272 55 ²	0 272 56 ²	80 A
1	0 270 08	0 270 18	100 A
1	0 270 09	0 270 19	125 A
			Breaking capacity Icu 25 kA (415 V~)
	3P		I_n
1	0 270 90		15 A
1	0 270 91		20 A
1	0 270 92		25 A
1	0 270 93		30 A
1	0 270 94		40 A
1	0 270 95		50 A
1	0 270 96		60 A
1	0 272 61		63 A
1	0 270 97		75 A
1	0 272 62		80 A
1	0 270 98		100 A
1	0 272 63		125 A
			Breaking capacity Icu 36 kA (415 V~)
	1P	2P	I_n
1	0 270 40 ¹	0 270 50	15 A
1	0 270 41 ¹	0 270 51	20 A
1	0 270 42 ¹	0 270 52	25 A
1	0 270 43 ¹	0 270 53	30 A
1	0 270 44 ¹	0 270 54	40 A
1	0 270 45 ¹	0 270 55	50 A
1	0 270 46 ¹	0 270 56	60 A
1	0 270 47 ¹	0 270 57	75 A
1	0 270 48 ¹	0 270 58	100 A
	3P	4P	I_n
1	0 270 60	0 270 70	15 A
1	0 270 61	0 270 71	20 A
1	0 270 62	0 270 72	25 A
1	0 270 63	0 270 73	30 A
1	0 270 64	0 270 74	40 A
1	0 270 65	0 270 75	50 A
1	0 270 66	0 270 76	60 A
1	0 272 24	0 272 26	63 A
1	0 270 67	0 270 77	75 A
1	0 272 59 ²	0 272 60 ²	80 A
1	0 270 68	0 270 78	100 A
1	0 272 25	0 272 27	125 A

Pack	Cat.Nos	Mounting on rail
20 12 6	0 271 89 0 271 90 0 271 87	Plates for fixing DRX 125 on DIN rail For 1P For 2P For 3P and 4P
		Rotary handles
1	0 271 76	Direct on DRX Standard (grey)
1	0 271 77	Vari-depth handle Comprising: connecting rod, bracket, drilling template, mounting accessories, door locking mechanism Standard (grey)
		Connection accessories
		Insulating shields Used to isolate the connection between each pole
1	0 271 81	3P Set of 2
1	0 271 82	4P Set of 3
		Sealable terminal shields
1	0 271 91	2P Set of 2
		Terminal shields
1	0 271 83	3P Set of 2
1	0 271 70	4P Up to 50 A (inclusive)
1	0 271 71	4P From 60 to 100 A
1	0 272 52	4P For 125 A
1	0 271 92	Set of 60 pieces up to 50 A (inclusive)
1	0 271 93	Set of 60 pieces from 60 to 100 A
1	0 272 54	Set of 60 pieces 125 A
		Padlock for DRX 125 and 250
1	0 271 80	For locking on "OFF" position (up to 3 locks)

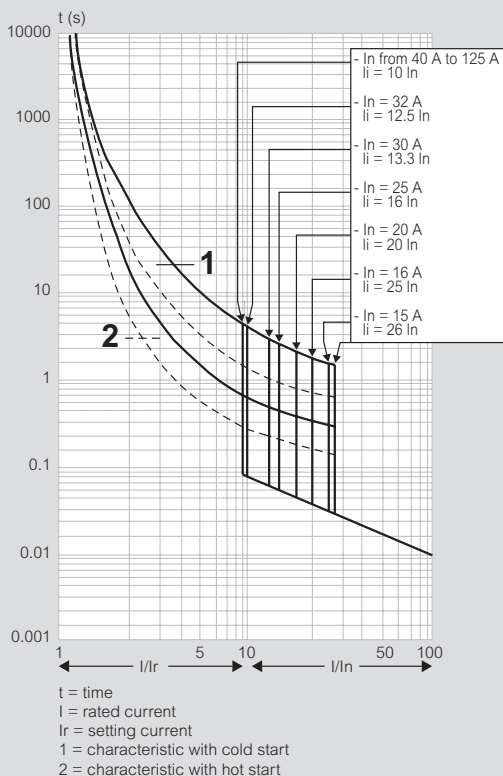
1: Icu 25 kA (240 V~) for 1P
 2: Available from January 2015

DRX™ 125

technical characteristics and curves

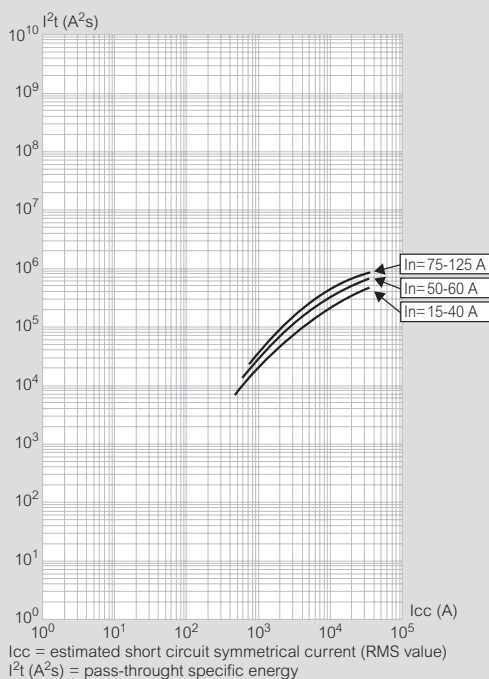
Curves

DRX 125 $I_{max} = 125\text{ A}$ from 10 kA to 36 kA 3P - 4P at 415 V~



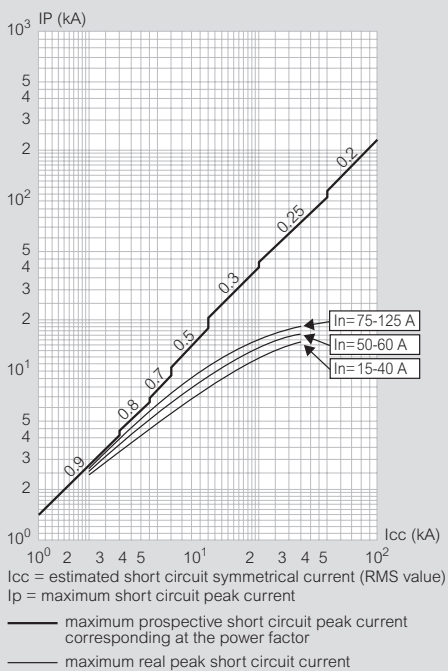
Pass-through specific energy characteristics

DRX 125 $I_{max} = 125\text{ A}$ from 10 kA to 36 kA 3P - 4P at 415 V~



Current limitation

DRX 125 $I_{max} = 125\text{ A}$ from 10 kA to 36 kA 3P - 4P at 415 V~

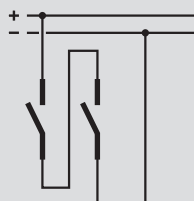


Technical characteristics

	DRX 10 kA	DRX 20 kA	DRX 36 kA ⁽¹⁾	DRX 36 kA	DRX 36 kA
Number of poles	3P - 4P	3P - 4P	1P	2P	3P - 4P
Nominal current I_n (A)	15-125	15-125	15-100	15-100	15-125
Neutral protection for 4P version (%)	100	100	100	100	100
Rated insulation voltage U_i (V)	690	690	690	690	690
Rated impulse withstand current I_{imp} (kV)	6	6	6	6	6
Rated operating voltage (50/60 Hz) U_e (V)	550	550	550	550	550
Ultimate breaking capacity I_{cu} (kA) IEC 60947-2	110/130 V~	50	75	50	75
	220/240 V~	25	40	25	60
	277 V~	-	-	15	50
	380/415 V~	10	20	10	36
	440/460 V~	10	15	-	30
Ultimate breaking capacity I_{cu} (kA) NEMA AB-1	480/550 V~	7.5	10	-	20
	600 V~	5	5	-	10
	125 V=	10 ⁽²⁾	10 ⁽²⁾	10	20 ⁽²⁾
Standard breaking capacity I_{cs} (% I_{cu})	250 V=	5 ⁽²⁾	5 ⁽²⁾	5	10 ⁽²⁾
	240 V~	25	40	25	100
	480 V~	7.5	10	-	20
Category of use	A	A	A	A	A
Suitable for isolation	YES	YES	YES	YES	YES
Endurance (cycles)	mechanical	25000	25000	25000	25000
	electrical at I_n	8000	8000	8000	8000
	electrical at 0.5 I_n	10000	10000	10000	10000

1: 1P - I_{cu} 25 kA (220/240 V~)
 2: 2 poles in series

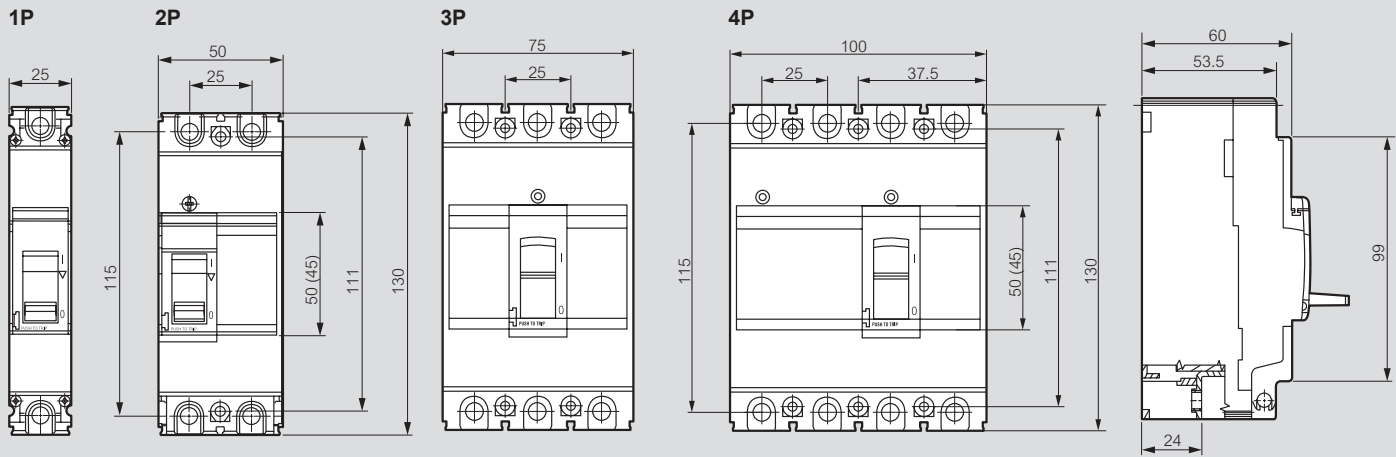
2 poles in series



DRX™ 125

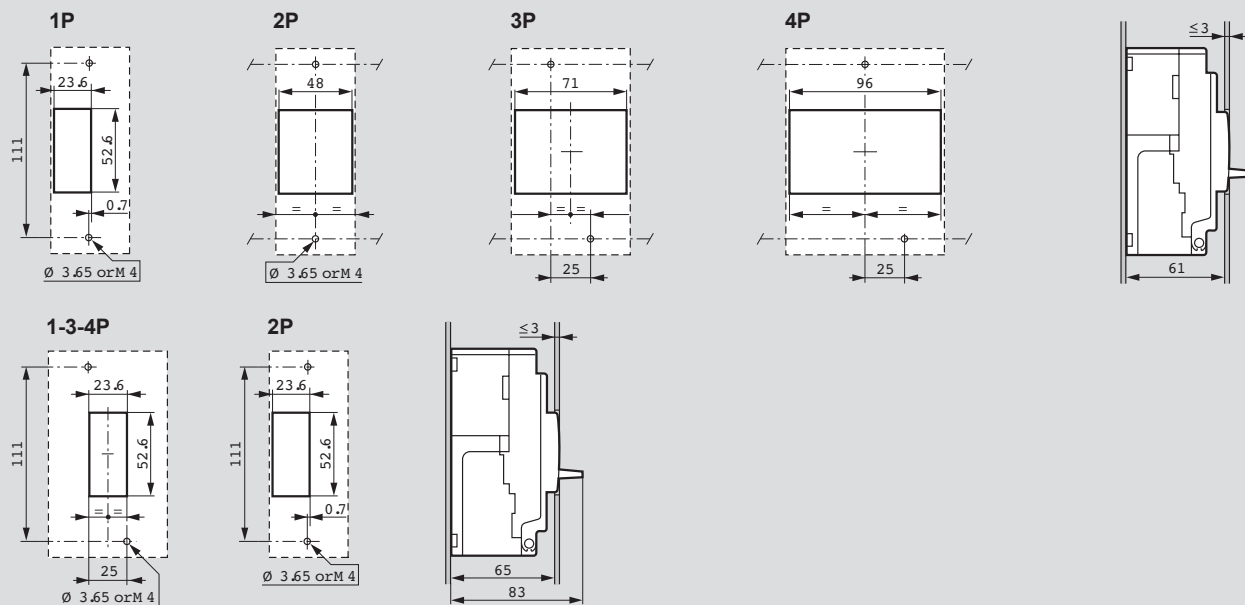
dimensions, mounting principle and connection

Dimensions



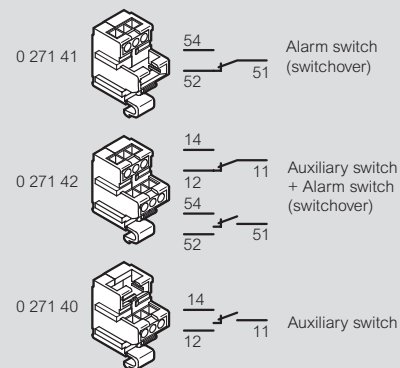
Mounting principle

Door cut-out

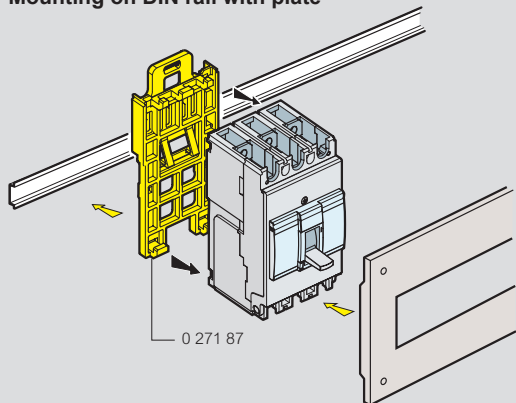


Auxiliary contacts

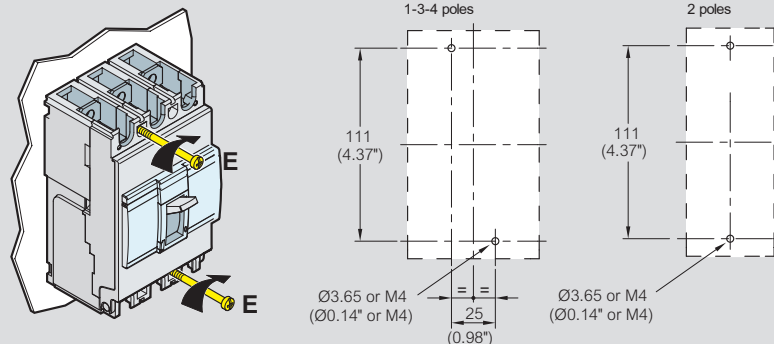
	Voltage (V)	Resistive load (A)
Vac	125	5
	250	5
Vdc	30	5
	50	1
	75	0.75
	125	0.5
250	0.25	
Mechanical endurance (No. of operations)		5 x 10 ⁶
Temperature (°C)		- 40 to 85 °C



Mounting on DIN rail with plate

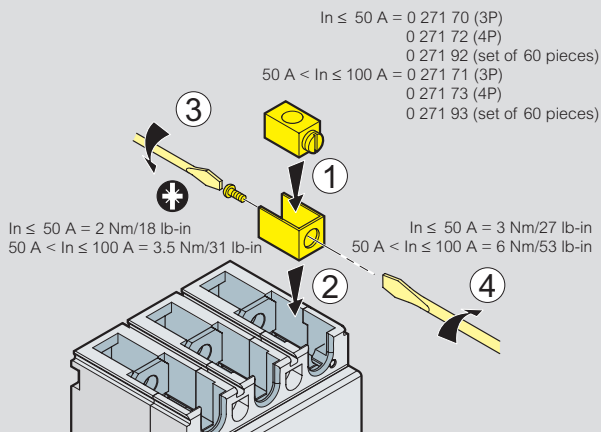


Fixing on plate

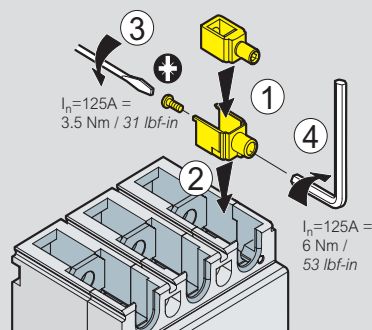


Connection

Connection via cable $I_n \leq 100$ A



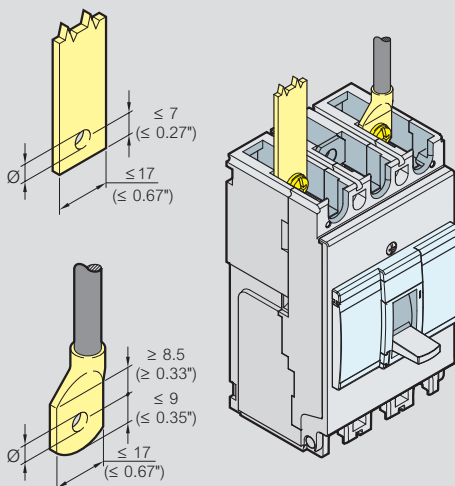
Connection via cable $I_n = 125$ A



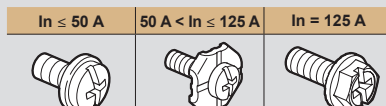
DRX ≤ 50 A	50 A < $I_n \leq 100$ A	$I_n = 125$ A
Flexible 2.5 10 mm ² #14 #8 AWG	Flexible 10 35 mm ² #8 #3/2 AWG	Flexible 35 50 mm ² #3/2 #1/0AWG
or Solid 2.5 16 mm ² #14 #6 AWG	Solid 10 50 mm ² #8 #1/0 AWG	Solid 35 50 mm ² #3/2 #1/0AWG

2,5 to 4 mm² (#14 to #10 AWG) flexible cables connection via crimped end-barrels

Connection via busbar

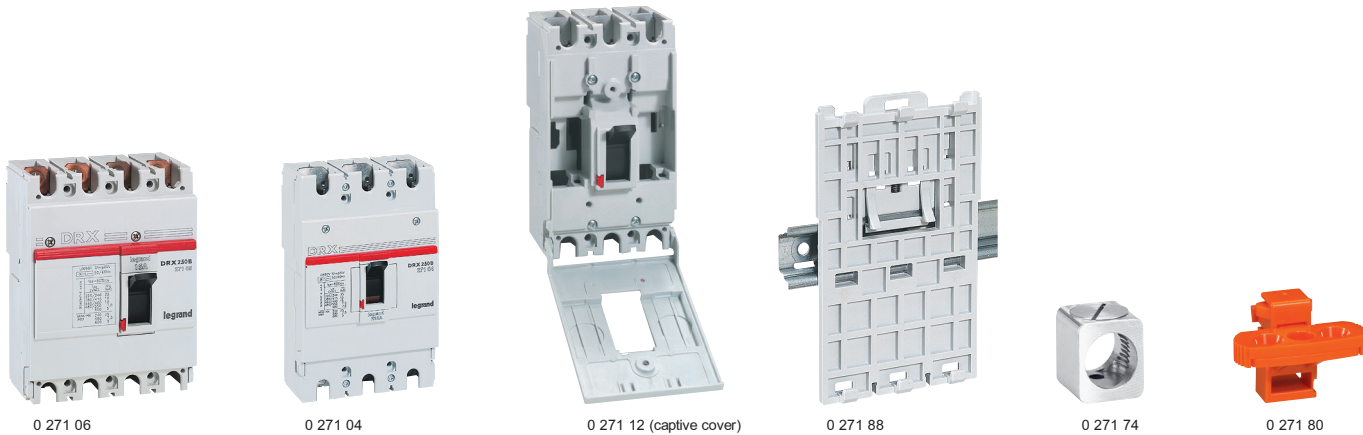


$I_n \leq 50$ A	50 A < $I_n \leq 125$ A
Ø 5.5 mm / 0.21"	Ø 8.5 mm / 0.32"



DRX™ 250

thermal magnetic MCCBs from 125 to 250 A



Technical characteristics and curves p. 11 to 13

For switching, control, isolation and protection of low-voltage electrical lines
 Can be fitted with auxiliaries
 Supplied with:
 - M8 terminals
 - Fixing screws
 - Insulating shields (2 for 3P and 3 for 4P)
 Fixed thermal and magnetic
 Conform to IEC 60947-2

Pack	Cat.Nos		DRX 250
	3P	4P	Breaking capacity Icu 18 kA (415 V~)
1	0 271 00	0 271 06	In 125 A
1	0 271 01	0 271 07	150 A
1	0 272 28	0 272 29	160 A
1	0 271 02	0 271 08	175 A
1	0 271 03	0 271 09	200 A
1	0 271 04	0 271 10	225 A
1	0 271 05	0 271 11	250 A
			Breaking capacity Icu 25 kA (415 V~)
1	0 271 12	0 271 18	In 125 A
1	0 271 13	0 271 19	150 A
1	0 272 30	0 272 31	160 A
1	0 271 14	0 271 20	175 A
1	0 271 15	0 271 21	200 A
1	0 271 16	0 271 22	225 A
1	0 271 17	0 271 23	250 A
			Breaking capacity Icu 36 kA (415 V~)
1	0 271 24	0 271 30	In 125 A
1	0 271 25	0 271 31	150 A
1	0 272 32	0 272 33	160 A
1	0 271 26	0 271 32	175 A
1	0 271 27	0 271 33	200 A
1	0 271 28	0 271 34	225 A
1	0 271 29	0 271 35	250 A
1	0 271 88		Mounting on rail Plate for fixing DRX 250 on DIN rail
1	0 271 78		Rotary handles Direct on DRX Standard (grey)
1	0 271 79		Vari-depth handle Comprising: connecting rod, bracket, drilling template, mounting accessories, drilling mechanism Standard (grey)

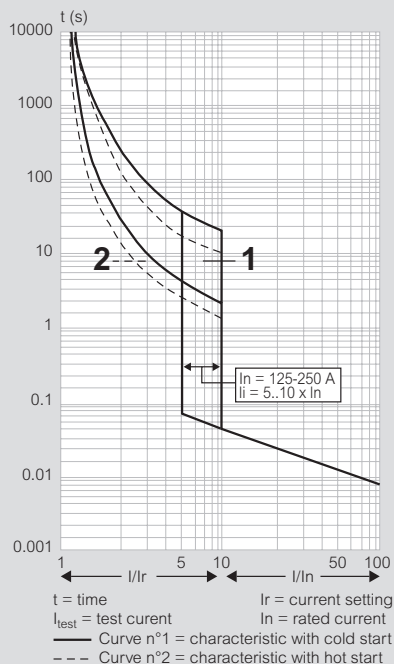
Pack	Cat.Nos		Connection accessories
	3P	4P	Insulating shields Used to isolate the connection between each pole
1	0 271 81	0 271 82	Set of 2
1			Set of 3
1	0 271 85	0 271 86	Sealable terminal shields Set of 2
1	0 271 74	0 271 75	Cage terminals Up to 250 A
1	0 271 94		Set of 60 pieces
1	0 271 80		Padlock for DRX 125 and 250 For locking on "OFF" position (up to 3 locks)
			Control and signalling auxiliaries for DRX 125 and 250
			Auxiliary contact blocks For left-hand side mounting Up to 250 V~ and =
1	0 271 40		Block with 1 auxiliary
1	0 271 41		Block with 1 alarm
1	0 271 42		Block with 1 auxiliary + 1 alarm
			Shunt trips
1	0 271 50		12 V~ and =
1	0 271 51		24 V~ and =
1	0 271 52		48 V~ and =
1	0 271 53		100/130 V~
1	0 271 54		200/277 V~
1	0 271 55		380/480 V~
			Undervoltage releases
1	0 271 60		12 V~ and =
1	0 271 61		24 V~ and =
1	0 271 62		48 V~ and =
1	0 271 68		110 V=
1	0 271 63		110/130 V~
1	0 271 64		200/240 V~
1	0 271 67		277 V~
1	0 271 65		380/415 V~
1	0 271 66		440/480 V~

DRX™ 250

technical characteristics and curves

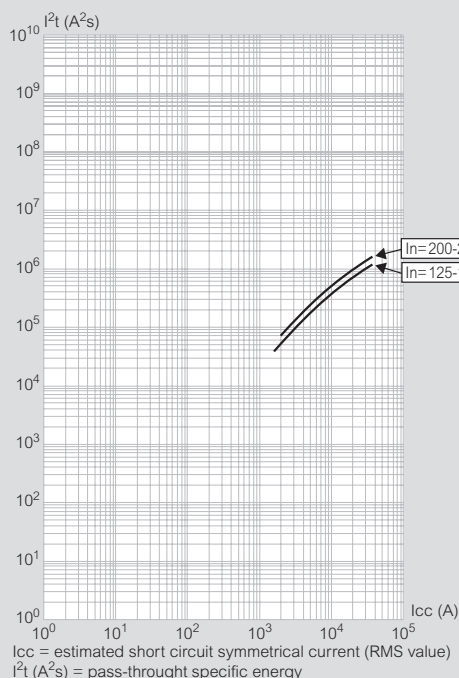
Curves

DRX 250 $I_{max} = 250$ A from 18 kA to 36 kA 3P - 4P at 415 V~



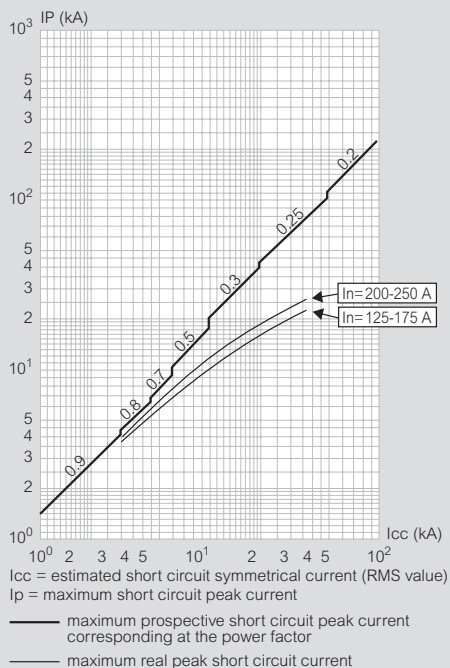
Pass-through specific energy characteristics

DRX 250 $I_{max} = 250$ A from 18 kA to 36 kA 3P - 4P at 415 V~



Current limitation

DRX 250 $I_{max} = 250$ A from 18 kA to 36 kA 3P - 4P at 415 V~

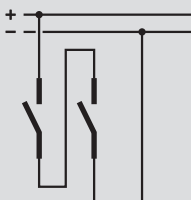


Technical characteristics

	DRX - 18 kA	DRX - 25 kA	DRX - 36 kA
Number of poles	3P - 4P	3P - 4P	3P - 4P
Nominal current I_n (A)	125-250	125-250	125-250
Neutral protection for 4P version (%)	100	100	100
Rated insulation voltage U_i (V)	690	690	690
Rated impulse withstand current I_{imp} (kV)	6	6	6
Rated operating voltage (50/60 Hz) U_e (V)	600	600	600
Ultimate breaking capacity I_{cu} (kA) IEC 60947-2	110/130 V~	35	60
	220/240 V~	35	50
	380/415 V~	18	25
	440/460 V~	15	25
Standard breaking capacity I_{cs} (% I_{cu})	480/550 V~	10	15
	600 V~	7.5	10
	125 V=	10 ⁽¹⁾	20 ⁽¹⁾
Category of use	250 V=	5 ⁽¹⁾	10 ⁽¹⁾
	240 V~	35	50
	480 V~	10	15
Suitable for isolation	600 V~	7.5	10
	mechanical	YES	YES
	electrical at I_n	25000	25000
Endurance (cycles)	electrical at 0.5 I_n	8000	8000
		10000	10000
		10000	10000

1: 2 poles in series

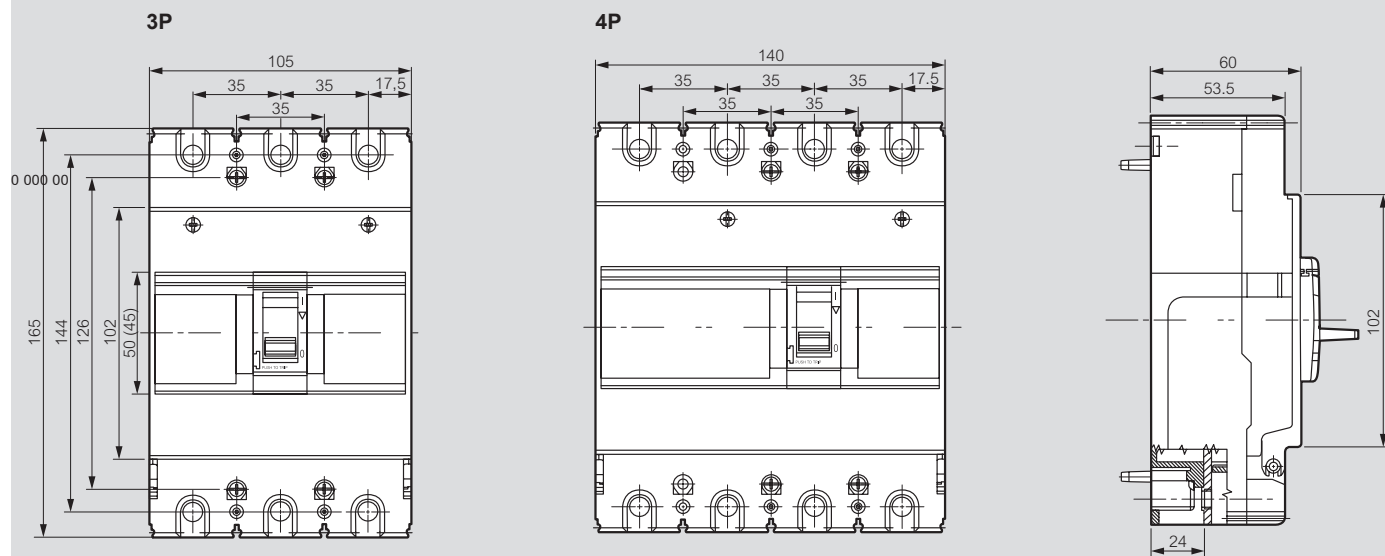
2 poles in series



DRX™ 250

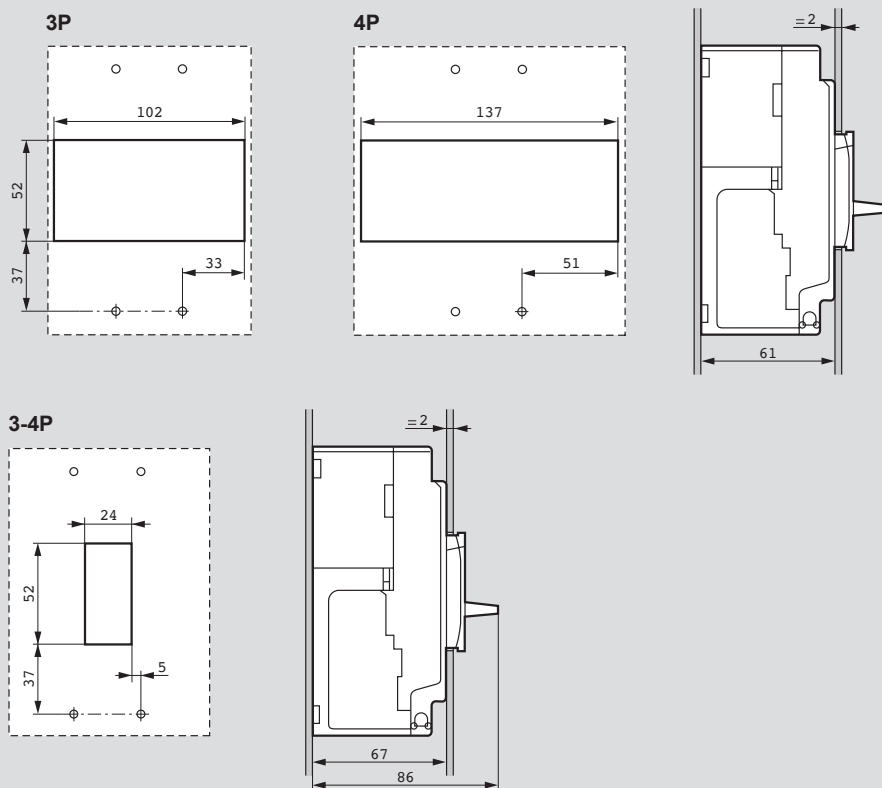
dimensions, mounting principle and connection

Dimensions

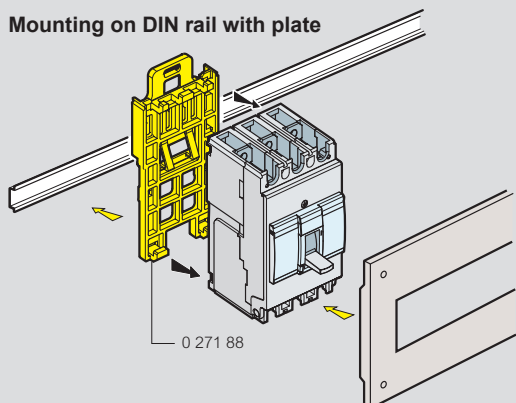


Mounting principle

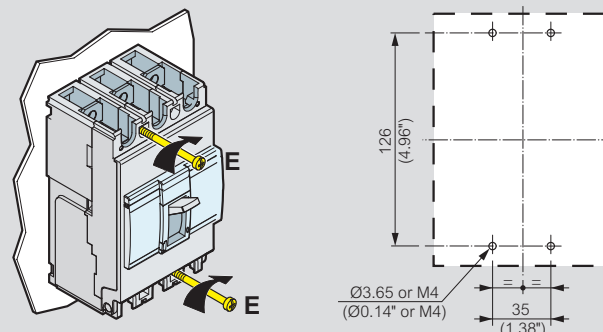
Door cut-out



Mounting on DIN rail with plate

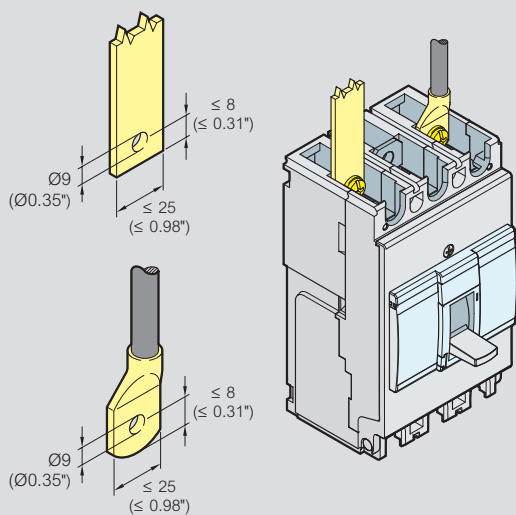


Fixing on plate

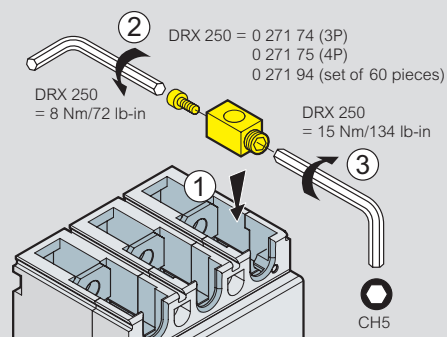


Connection

Connection via busbar



Connection via cable

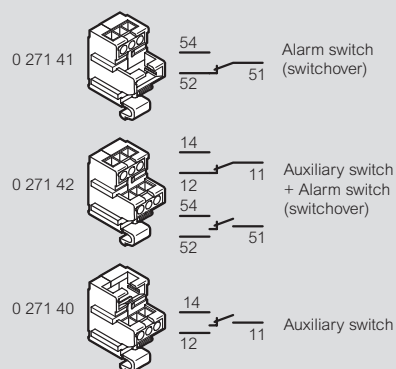


DRX 250 - 125 to 250 A

Flexible
 35 mm² 120 mm²
 #2 #250 MCM
 or
 Solid
 35 mm² 150 mm²
 #2 #300 MCM

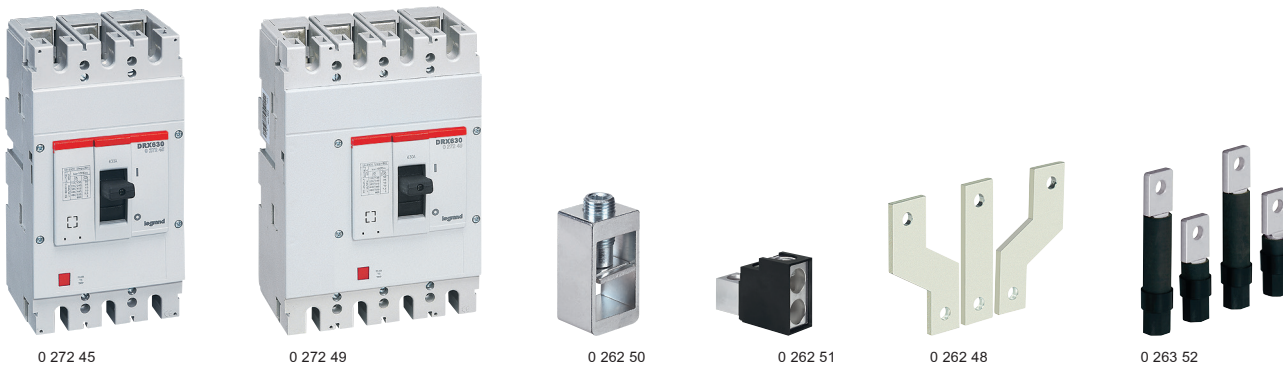
Auxiliary contacts

	Voltage (V)	Resistive load (A)
Vac	125	5
	250	5
Vdc	30	5
	50	1
	75	0.75
	125	0.5
	250	0.25
Mechanical endurance (No. of operations)		5 x 10 ⁶
Temperature (°C)		- 40 to 85 °C



DRX™ 630

thermal magnetic MCCBs from 320 to 630 A



Technical characteristics and curves **p. 15 to 17**

For switching, control, isolation and protection of low-voltage electrical lines

Can be fitted with auxiliaries

Supplied with:

- M8 terminals
- Fixing screws
- Insulating shields (2 for 3P and 3 for 4P)

Fixed thermal and magnetic

Conform to IEC 60947-2

Pack	Cat.Nos		DRX 630
			Breaking capacity Icu 36 kA (415 V~)
	3P	4P	In
1	0 272 34	0 272 38	320 A
1	0 272 35	0 272 39	400 A
1	0 272 36	0 272 40	500 A
1	0 272 37	0 272 41	630 A
			Breaking capacity Icu 50 kA (415 V~)
			In
1	0 272 42	0 272 46	320 A
1	0 272 43	0 272 47	400 A
1	0 272 44	0 272 48	500 A
1	0 272 45	0 272 49	630 A
			Rotary handles
1	0 272 50		Direct on DRX Standard (grey)
1	0 272 51		Vari-depth handle Comprising: connecting rod, bracket, drilling template, mounting accessories, door locking mechanism Standard (grey)
			Connection accessories
1	0 262 30		Insulating shields Used to isolate the connection between each pole Set of 2 pieces
1	3P: 0 262 44	4P: 0 262 45	Set of 2
1	4 222 34	4 222 35	IP 20 terminal cover Set of two terminal covers
1	0 262 50		Cage terminals Set of 4 cage terminals for cables
1	0 262 51		Set of 4 high capacity cage terminals for cables
1	0 262 47		Extended front terminals Set of 4 extended front terminals

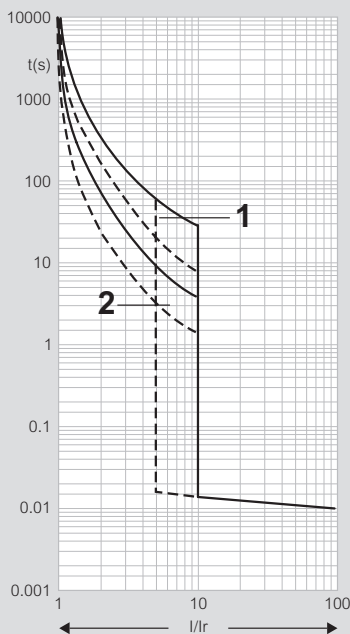
Pack	Cat.Nos		Connection accessories (continued)
1	3P: 0 262 48	4P: 0 262 49	Spreaders Set of incoming or outgoing spreaders
1	0 263 50	0 263 51	Swivel terminals Set of incoming or outgoing swivel terminals
1	0 263 52	0 263 53	Flat terminals Set of incoming or outgoing flat terminals
1	0 262 40		Padlock for DRX 630 For locking on "OFF" position (up to 3 locks)
1	4 210 11		Control and signalling auxiliaries for DRX 630 For DPX ³ , DPX ³ -I and DRX
			Auxiliary contact or fault signal For signalling the state of the contacts or opening of the MCCB on a fault Changeover switch 3 A - 240 V~
			Shunt releases Shunt inrush power 300 V~ Coil voltage
1	4 222 39		24 V~ and ~
1	4 222 40		48 V~ and ~
1	4 222 41		110 V~ and ~
1	4 222 42		230 V~ and ~
1	4 222 43		400 V~ and ~
			Undervoltage releases Undervoltage power consumption 5 V~ Coil voltage
1	4 222 44		24 V~
1	4 222 45		24 V~
1	4 222 46		48 V~ and ~
1	4 222 47		110 V~ and ~
1	4 222 48		230 V~ and ~
1	4 222 49		400 V~ and ~

DRX™ 630

technical characteristics and curves

Curves

DRX 630 $I_{max} = 630\text{ A}$ from 36kA to 50 kA 3P - 4P



t = time
I = rated current
Ir = setting current
curve number 1 = characteristic with cold start
curve number 2 = characteristic with hot start

Pass-through specific energy characteristics

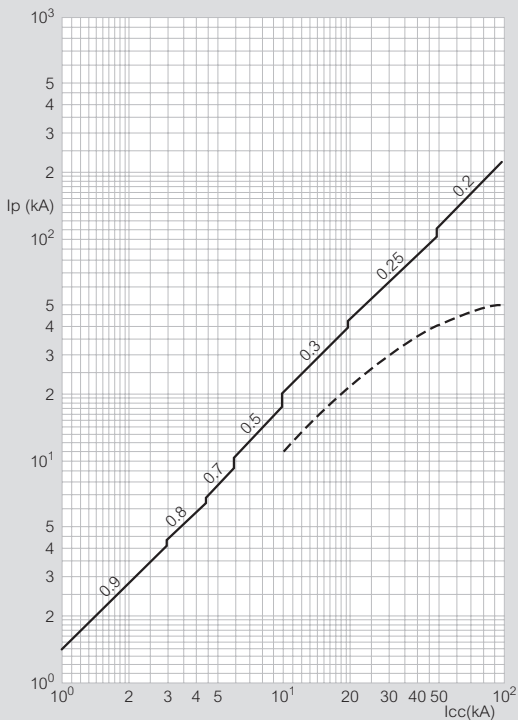
DRX 630 $I_{max} = 630\text{ A}$ from 36kA to 50 kA 3P - 4P at 415 V~



I_{cc} = estimated short circuit symmetrical current (RMS value)
 $I^2t(A^2s)$ = pass-through specific energy

Current limitation

DRX 630 $I_{max} = 630\text{ A}$ from 36kA to 50 kA 3P - 4P



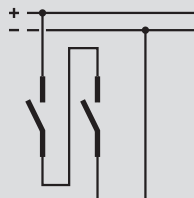
I_{cc} = estimated short circuit symmetrical current (RMS value)
 I_p = maximum short circuit peak current
— maximum prospective short circuit peak current corresponding at the power factor
- - - maximum real peak short circuit current

Technical characteristics

	DRX - 36 kA	DRX - 50 kA
Number of poles	3P - 4P	3P - 4P
Nominal current I_n (A)	320-630	320-630
Neutral protection for 4P version (%)	100	100
Rated insulation voltage U_i (V)	690	690
Rated impulse withstand current U_{imp} (kV)	6	6
Rated operating voltage (50/60 Hz) U_e (V)	600	600
	220/240 V~	65
	380/415 V~	100
Ultimate breaking capacity I_{cu} (kA)	36	50
IEC 60947-2	440/460 V~	30
	480/550 V~	40
	125 V=	30
	250 V=	42
Ultimate breaking capacity I_{cu} (kA)	36	38
NEMA AB-1	240 V~	60
	480 V~	80
	550 V~	25
Standard breaking capacity I_{cs} (% I_{cu})	25	30
Category of use	50	50
Suitable for isolation	A	A
	YES	YES
Endurance (cycles)	mechanical	25000
	electrical at I_n	8000
	electrical at 0.5 I_n	10000
	8000	10000

1: 2 poles in series

2 poles in series

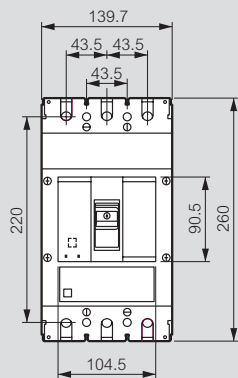


DRX™ 630

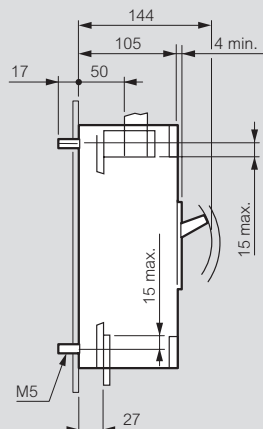
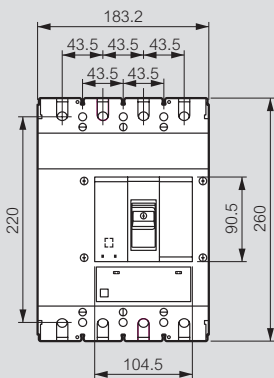
dimensions, mounting principle and connection

Dimensions

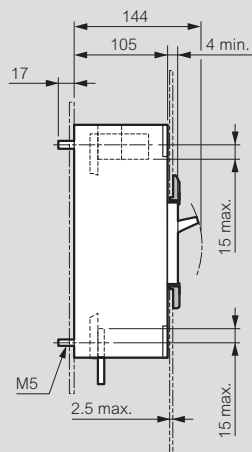
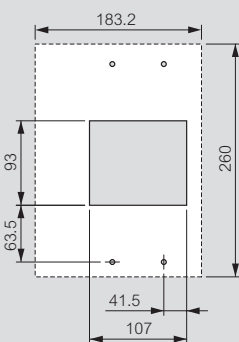
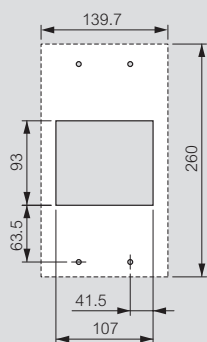
3P



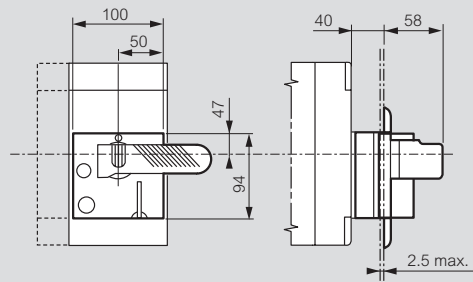
4P



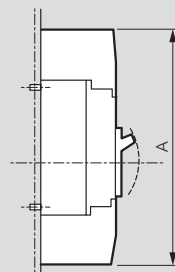
Door cut



Rotary handle-direct on DPX

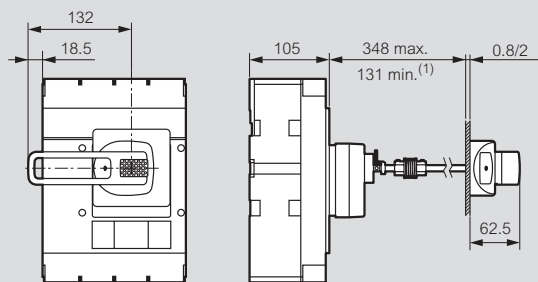


Terminal shields



Rotary handle-vari-depth handle on door

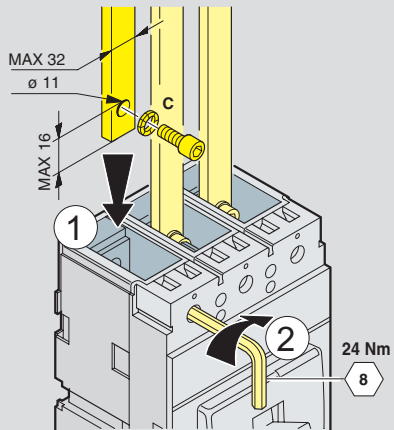
Mounting with flexible seal



1: 75 mm without mechanical system

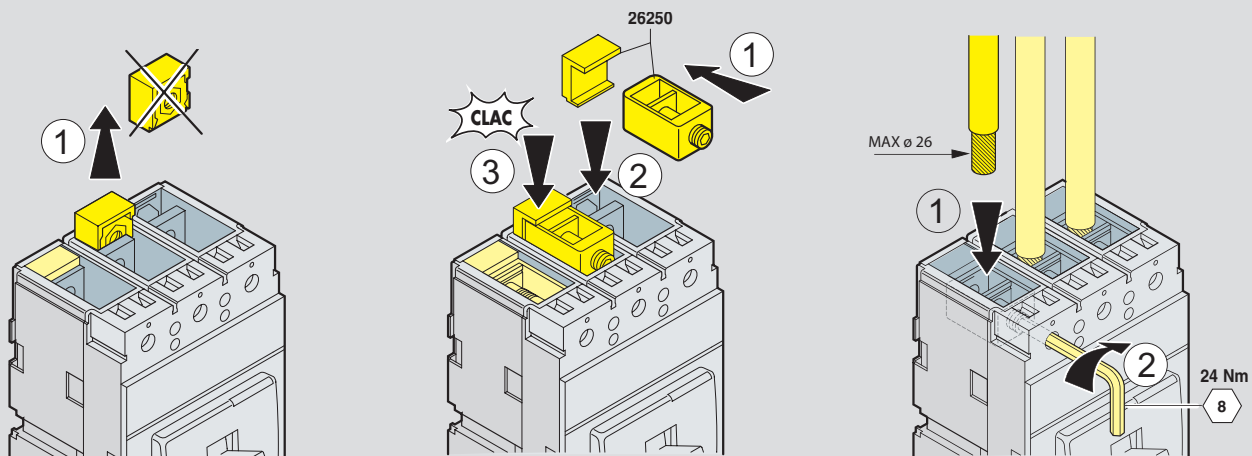
Connection

Connection via busbar

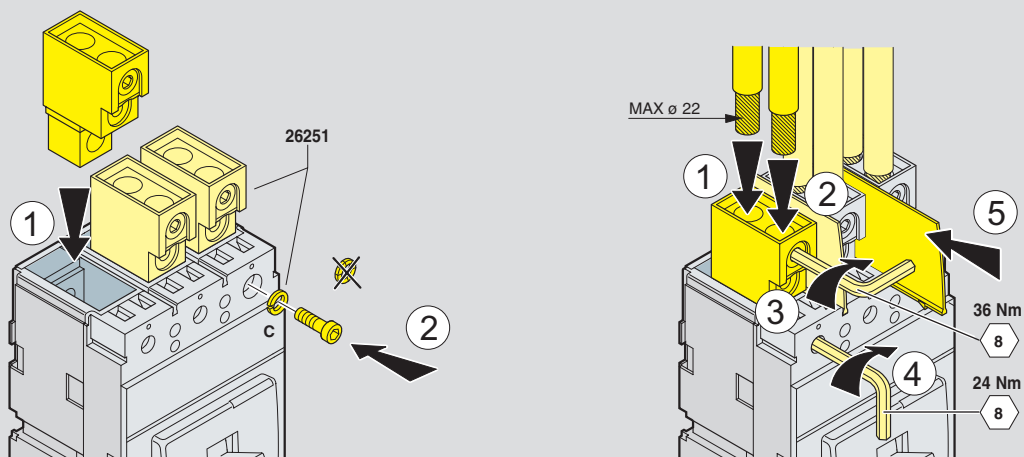


Connection via cable

With cage terminals Cat.No 0 262 50



With high capacity cage terminals Cat.No 0 262 51





FOLLOW US ALSO ON

-  www.legrand.ae
-  www.youtube.com/user/legrand
-  www.facebook.com/Legrand
-  twitter.com/legrand_news
-  pinterest.com/legrandgroup

EXB14014 - Gulf - April 2015



Iraq

Tel : (+964) 7809175940
(+964) 7712713600

Kuwait

Shuwaikh
Safat 13002
P.O. Box 177
Tel : (+965) 9781 3718
Fax: (+965) 2482 4754

Oman

Tel : (+968) 24 83 2280
Fax: (+968) 24 83 1596

Qatar

Global Business Center,
Al Hitmi Village Bldg #8,
4th Floor, Office#R2
Corniche Road - Doha, Qatar
Tel : (+974) 4 402 3018
Fax: (+974) 4 436 6673

United Arab Emirates

Wing C - Office 701
Dubai Silicon Oasis
P.O. Box: 341068
Dubai
Tel : (+971) (0) 4 3821 821
Fax: (+971) (0) 4 3821 822